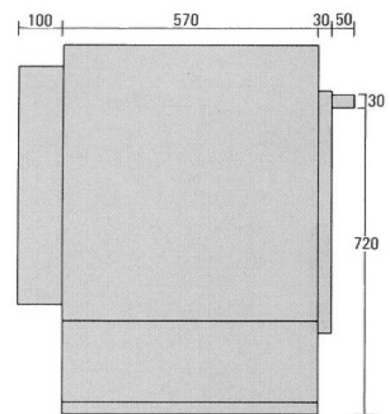
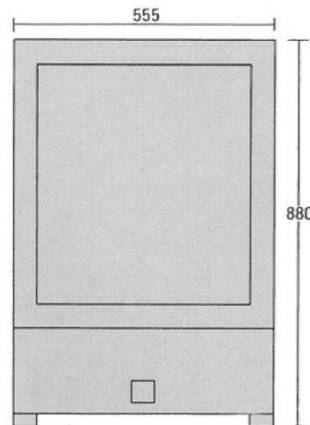


Data Sheet

Electric Pre-Heat/Carbon Ashing Furnace Model EAF



Key Benefits

- Preheating of Cupels
- Carbon Ashing
- General purpose Laboratory work
- Built to Industry Standards

Technical Specifications

Construction

- Cabinet is 2 mm 304 stainless sheet, lined with insulating fire bricks, backed with Superwool insulation board and mounted on a floor stand fabricated from 51 x 51 x 2.6mm R.H.S. The furnace is finished in Hammerfin blue enamel.

Refractory Lining

- Insulating fire-brick backed with HT Board.

Racks and Trays

- A rack fabricated from 25 x 25 x 3mm 304 stainless steel angle to accommodate 8 trays at 125mm centres.
- Trays fabricated from 2mm 304 stainless steel sheet 800 x 800 x 75mm deep.

Internal Dimensions

- 450 mm high x 350 mm wide x 400 mm deep.

Heating Elements

- Spiral elements of Kanthal "A1" wire carried in grooves machined into the walls of the furnace. Element rating 3.5 Kw single phase.

Temperature Control

- Electronic, Automatic control 800°C, type "K" Thermocouple.
- Switching Solid State Relays on PID control.

Reproduction of this document or any part thereof without the written consent of Furnace Industries is not permitted and will be an infringement of Furnace Industries copyright.